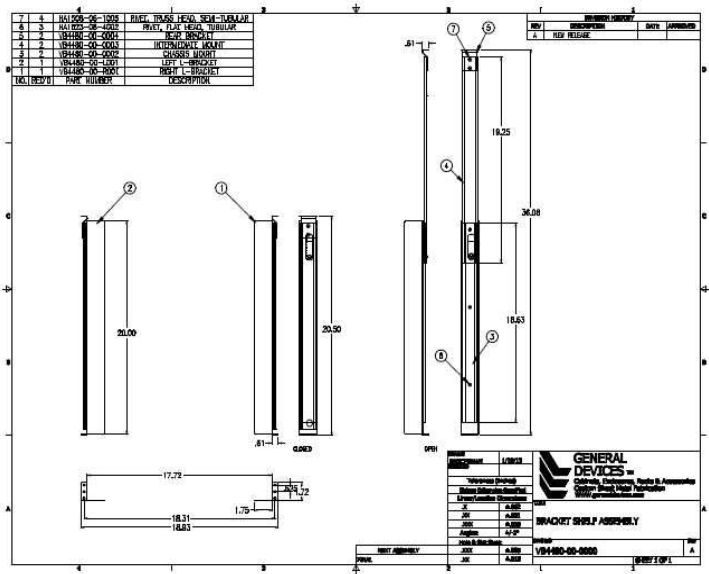
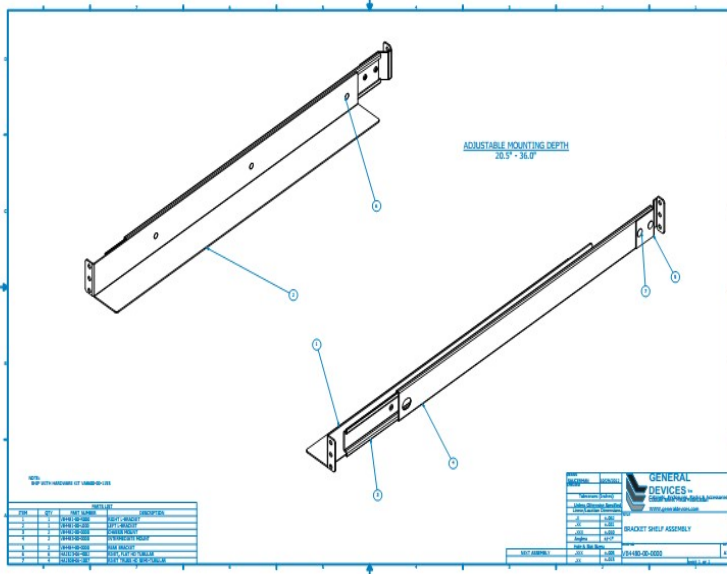




**Adjustable Mounting Depths
Fixed Support Brackets**

Rugged and Dependable — General Devices Adjustable Mounting Support Brackets are constructed of steel. They offer users the ability to mount and access non-rack mountable equipment. The chassis support angle permits immediate removal of a chassis or any piece of equipment. This is an economical angle chassis support for use where it is not necessary, or desirable to have a slide support installed. Mounts easily to the front and rear cabinet rails to provide full chassis depth and mounting support.



Features/Benefits

- Provides fast, easy, and secure access
- 100 pound load capacity evenly distributed
- 1U Low Profile Vertical Rack Mounting
- Smooth sliding adjustable mounting depths
- Black Powder Coat Paint
- Other color options available upon request
- Proudly Made in the USA

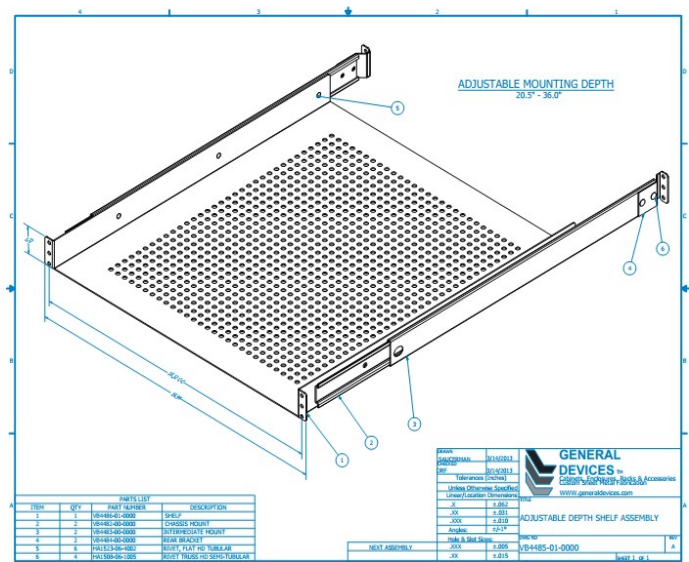
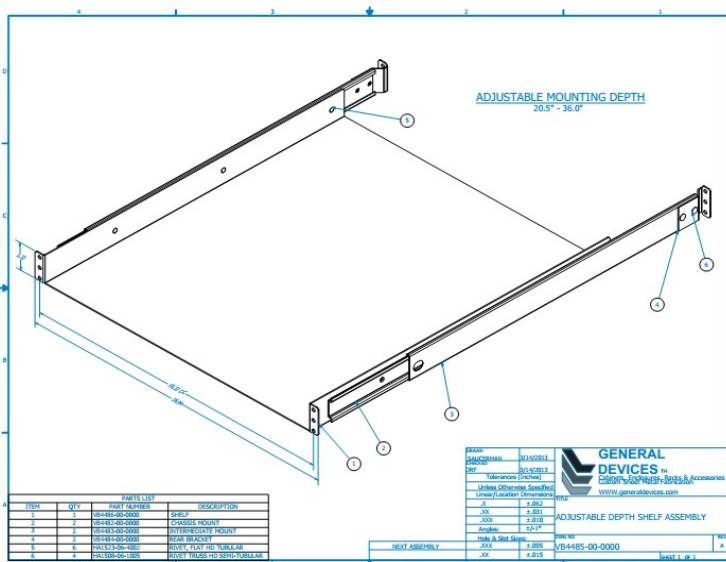
Call General Devices Co., Inc. Today
(317) 897-7000 • Fax (317) 898-2917
1410 South Post Road, Indianapolis, Indiana 46239
ISO 9001:2008 Registered
www.generaldevices.com



NEW

**Adjustable Mounting Depths
Fixed Shelf Assembly**

Rugged and Dependable — General Devices Adjustable Mounting Shelves are constructed of steel. They offer users the ability to mount and access non-rack mountable equipment. The adjustable shelf permits immediate removal of a chassis or any piece of equipment. Mounts easily to front and rear cabinet rails to provide full chassis and equipment depth and mounting support.



Features/Benefits



- Provides fast, easy, and secure access
- 100 pound load capacity evenly distributed
- 1U Low Profile Vertical Rack Mounting
- Smooth sliding adjustable mounting depths
- Black Powder Coat Paint
- Other color options available upon request
- Proudly Made in the USA

Call General Devices Co., Inc. Today

(317) 897-7000 • Fax (317) 898-2917

1410 South Post Road, Indianapolis, Indiana 46239

ISO 9001:2008 Registered

www.generaldevices.com

