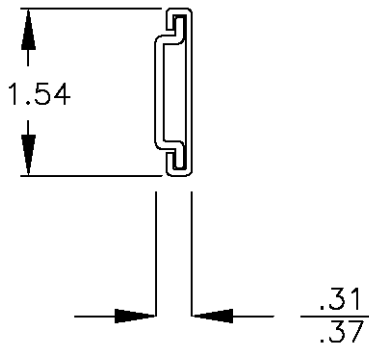
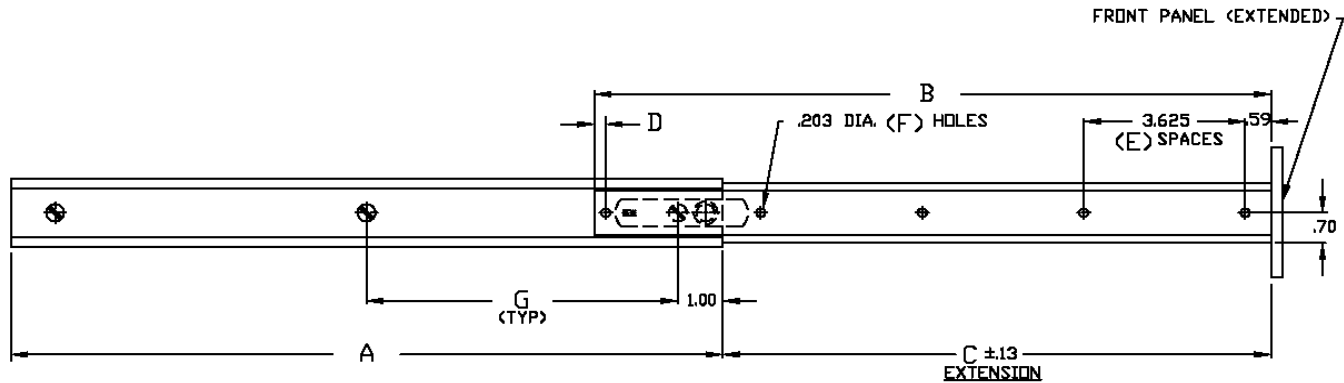
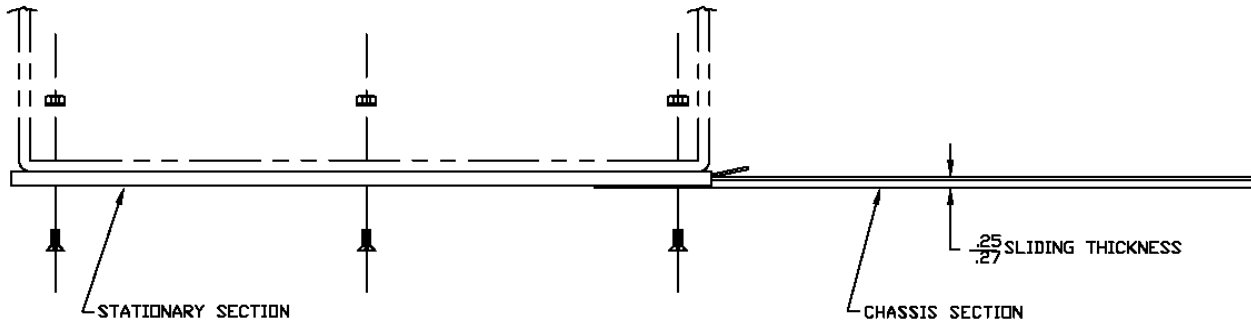
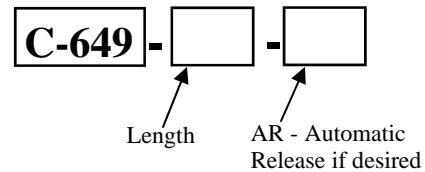


C-649 Two Section Slide



TO ORDER, SPECIFY



Notes

1. Finish: All standard slides are coated with Poxylube™ dry film lubricant.
2. All standard slides are designed to lock-out in the extended position and are available with an optional automatic release if lock-out is not desirable.
3. Standard hardware packages include all the hardware necessary to mount your Chassis Trak® slides:
 - #10-32 and #8-32 screws and keps nuts
4. All sliding members of the standard slide are made from cold rolled steel.
5. All Chassis Trak® solid bearing slides are supplied with a quick disconnect feature.
6. Optional mounting patterns, slide lengths and extensions are available.

Catalog Number	A	B	C	D	E	F	G	Load Capacity
C-649-10	10.00	9.25	7.00	NONE	1	2	4.00	95 LBS.
C-649-12	12.00	11.25	9.00	NONE	2	3	5.00	95 LBS.
C-649-14	14.00	13.25	10.50	NONE	2	3	6.00	90 LBS.
C-649-16	16.00	15.25	12.00	0.25	2	4	7.00	90 LBS.
C-649-18	18.00	17.25	13.50	0.25	3	5	8.00	90 LBS.
C-649-20	20.00	19.25	15.00	0.25	3	5	9.00	85 LBS.
C-649-22	22.00	21.25	16.50	0.25	4	6	10.00	85 LBS.
C-649-24	24.00	23.25	18.00	0.25	4	6	11.00	85 LBS.
C-649-26	26.00	25.25	19.50	0.25	4	6	12.00	80 LBS.
C-649-28	28.00	27.25	21.00	0.25	5	7	13.00	80 LBS.
C-649-30	30.00	29.25	22.50	0.25	5	7	14.00	80 LBS.