

Storage Drawer/Sliding Shelf

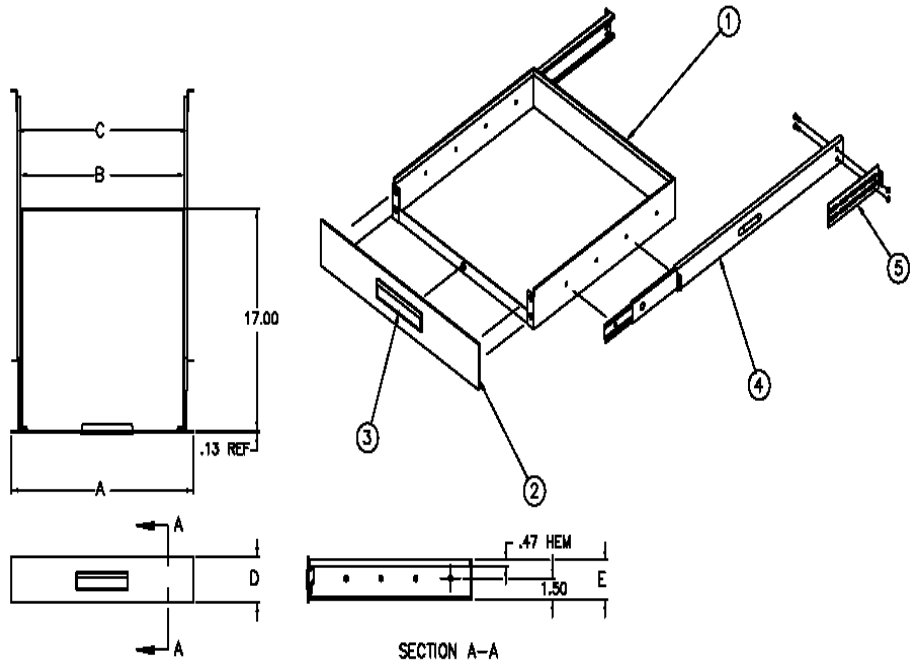


D-4100 Storage Drawer

CATALOG NUMBER	A	B	C	D	E
D-4100-3	19.0	17.0	17.88	3.47	3.00
D-4100-5	19.0	17.0	17.88	5.22	4.75
D-4100-7	19.0	17.0	17.88	6.97	6.50
D-4100-8	19.0	17.0	17.88	8.72	8.25
D-4100-10	19.0	17.0	17.88	10.47	10.00
D-4100-12	19.0	17.0	17.88	12.22	11.75
D-4100-14	19.0	17.0	17.88	13.97	13.50

*24 and 30 inch panel width versions available.
Contact factory for more information.

1. Storage drawer body (16 gauge C.R.S. with semi-gloss black finish).
2. Front panel (12 gauge C.R.S. with semi-gloss black finish).
3. Handle pull.
4. Slide assembly Model C-300-S-122
5. B-308 extension bracket.



D-4454 Sliding Shelf

19" PANEL WIDTH*			
CATALOG NUMBER	A	B	C
D-4454-19x20	18.31	17.0	20.0
D-4454-19x22	18.31	17.0	22.0
D-4454-19x24	18.31	17.0	24.0
D-4454-19x26	18.31	17.0	26.0
D-4454-19x28	18.31	17.0	28.0
D-4454-19x30	18.31	17.0	30.0

*24 and 30 inch panel width versions available.
Contact factory for more information.

- Finish: Semi-gloss black.
Mounting hardware included (B-309 brackets).
Contact factory for optional perforated ventilation.

