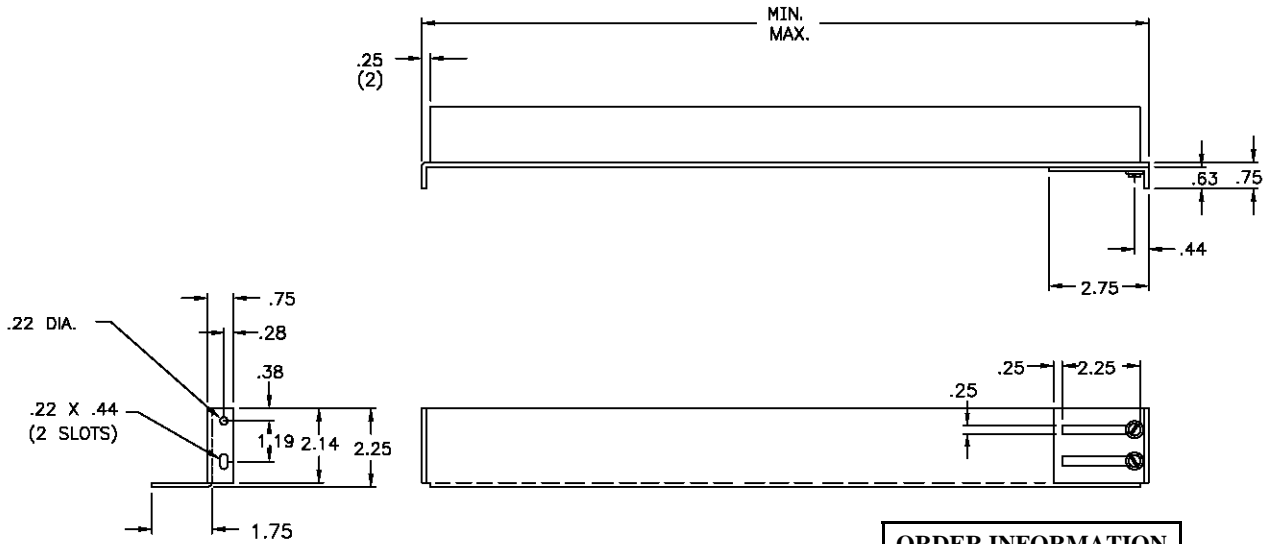


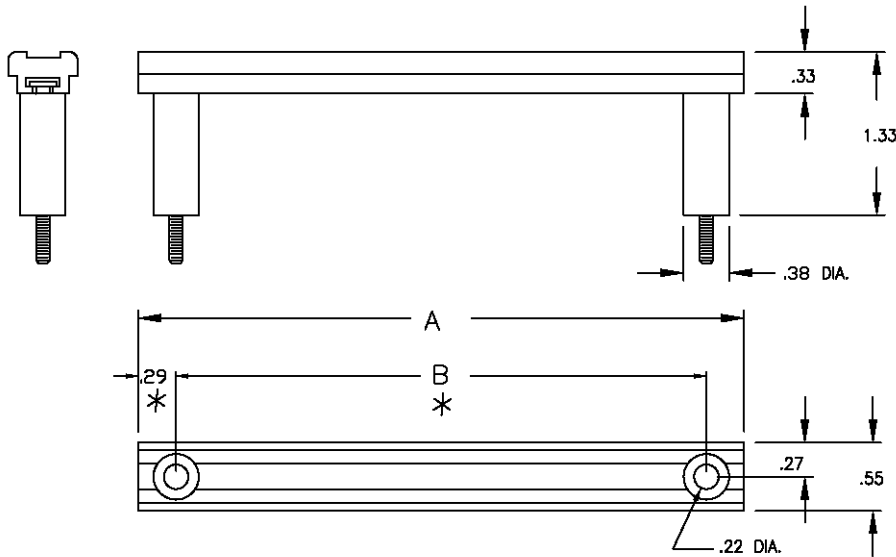
B-4470 Chassis Support Bracket



Finish: Clear zinc commercial plating
 Material: 12 gauge C.R.S.
 Other sizes available in 2" increments

ORDER INFORMATION		
SPECIFY	MIN.	MAX.
B-4470 x 24	21.0	23.0
B-4470 x 30	27.0	29.0
B-4470 x 36	33.0	35.0

C-8505 Hardware Pull



SPECIFY	OVERALL LENGTH A	HOLE C-C B*
C-8505-3	3.25	2.66
C-8505-5	5.00	4.41
C-8505-7	6.75	6.16
C-8505-8	8.50	7.91
C-8505-10	10.25	9.66
C-8505-12	12.00	11.41
C-8505-14	13.75	13.16

Material: Aluminum extrusion with clear chromate conversion coating finish and black textured insert. Mounting hardware included (sold in pairs).

*Recommended dimension
 Dim. B can vary at customer request.