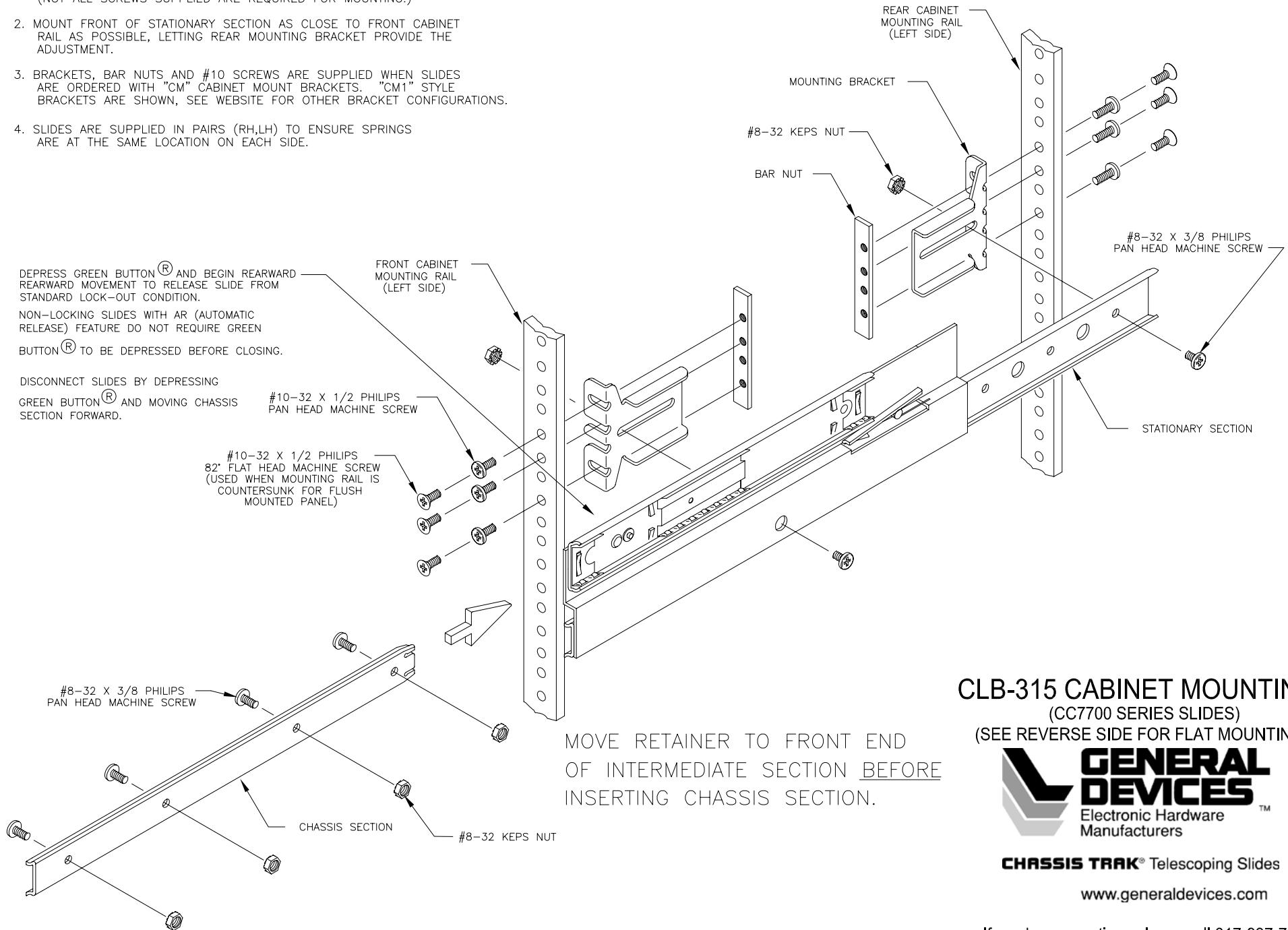


NOTES:

1. USE ONLY #8-32 X 3/8 PAN HEAD SCREWS (.094 MAXIMUM HEAD HEIGHT) TO SECURE CHASSIS BOX TO THE SLIDE CHASSIS SECTION USING THE FIRST AND LAST HOLES WITH A MAXIMUM SPACING BETWEEN SCREWS OF 8.00". (NOT ALL SCREWS SUPPLIED ARE REQUIRED FOR MOUNTING.)
2. MOUNT FRONT OF STATIONARY SECTION AS CLOSE TO FRONT CABINET RAIL AS POSSIBLE, LETTING REAR MOUNTING BRACKET PROVIDE THE ADJUSTMENT.
3. BRACKETS, BAR NUTS AND #10 SCREWS ARE SUPPLIED WHEN SLIDES ARE ORDERED WITH "CM" CABINET MOUNT BRACKETS. "CM1" STYLE BRACKETS ARE SHOWN, SEE WEBSITE FOR OTHER BRACKET CONFIGURATIONS.
4. SLIDES ARE SUPPLIED IN PAIRS (RH,LH) TO ENSURE SPRINGS ARE AT THE SAME LOCATION ON EACH SIDE.



**CLB-315 CABINET MOUNTING**  
(CC7700 SERIES SLIDES)  
(SEE REVERSE SIDE FOR FLAT MOUNTING)



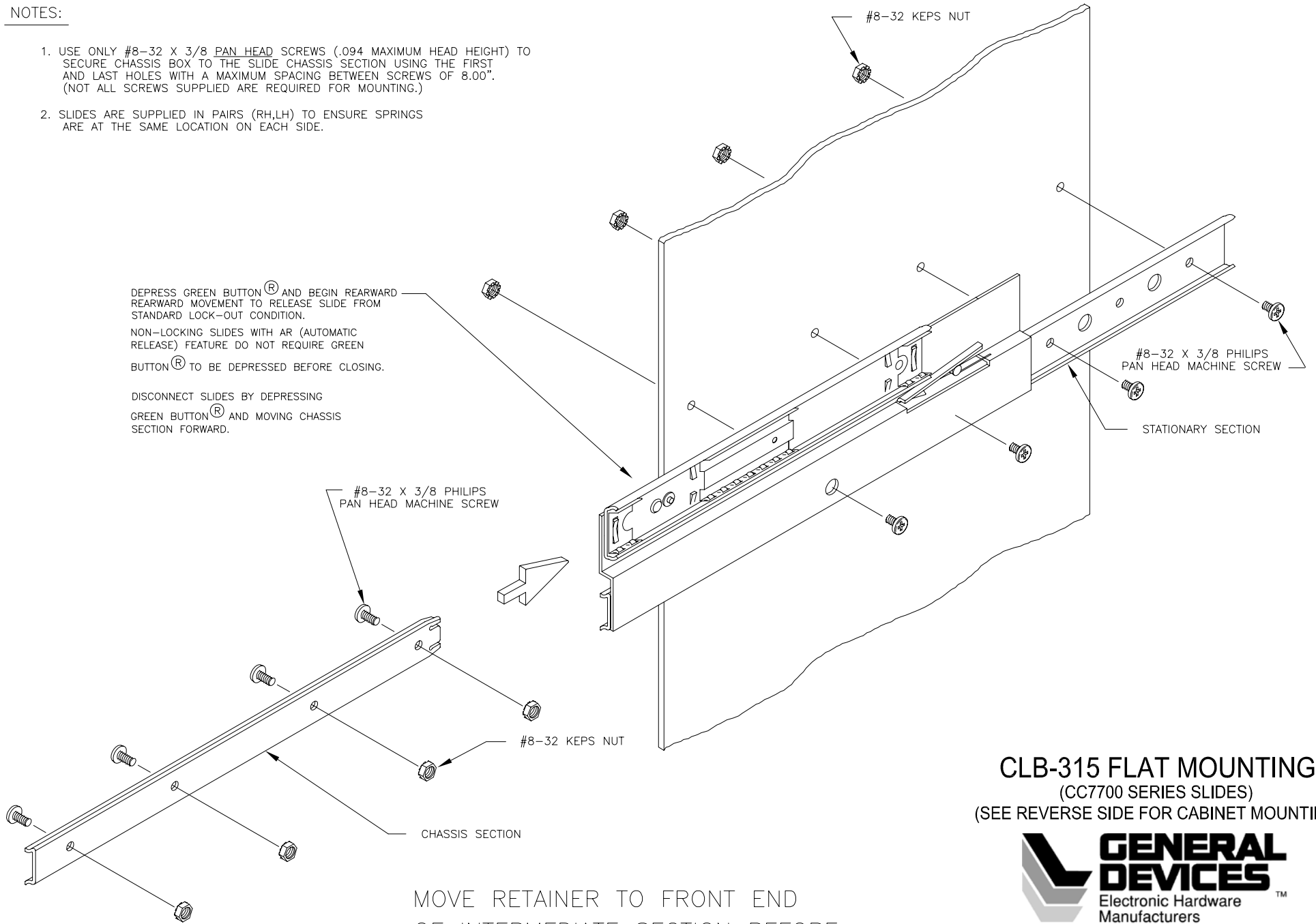
**CHASSIS TRAK<sup>®</sup>** Telescoping Slides

[www.generaldevices.com](http://www.generaldevices.com)

If you have questions please call 317-897-7000  
or send e-mail to [sales@generaldevices.com](mailto:sales@generaldevices.com)

NOTES:

1. USE ONLY #8-32 X 3/8 PAN HEAD SCREWS (.094 MAXIMUM HEAD HEIGHT) TO SECURE CHASSIS BOX TO THE SLIDE CHASSIS SECTION USING THE FIRST AND LAST HOLES WITH A MAXIMUM SPACING BETWEEN SCREWS OF 8.00". (NOT ALL SCREWS SUPPLIED ARE REQUIRED FOR MOUNTING.)
2. SLIDES ARE SUPPLIED IN PAIRS (RH,LH) TO ENSURE SPRINGS ARE AT THE SAME LOCATION ON EACH SIDE.



**CLB-315 FLAT MOUNTING**  
 (CC7700 SERIES SLIDES)  
 (SEE REVERSE SIDE FOR CABINET MOUNTING)



**CHASSIS TRAK**® Telescoping Slides

[www.generaldevices.com](http://www.generaldevices.com)

MOVE RETAINER TO FRONT END OF INTERMEDIATE SECTION BEFORE INSERTING CHASSIS SECTION.