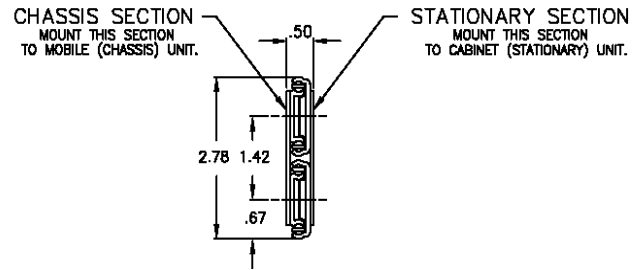
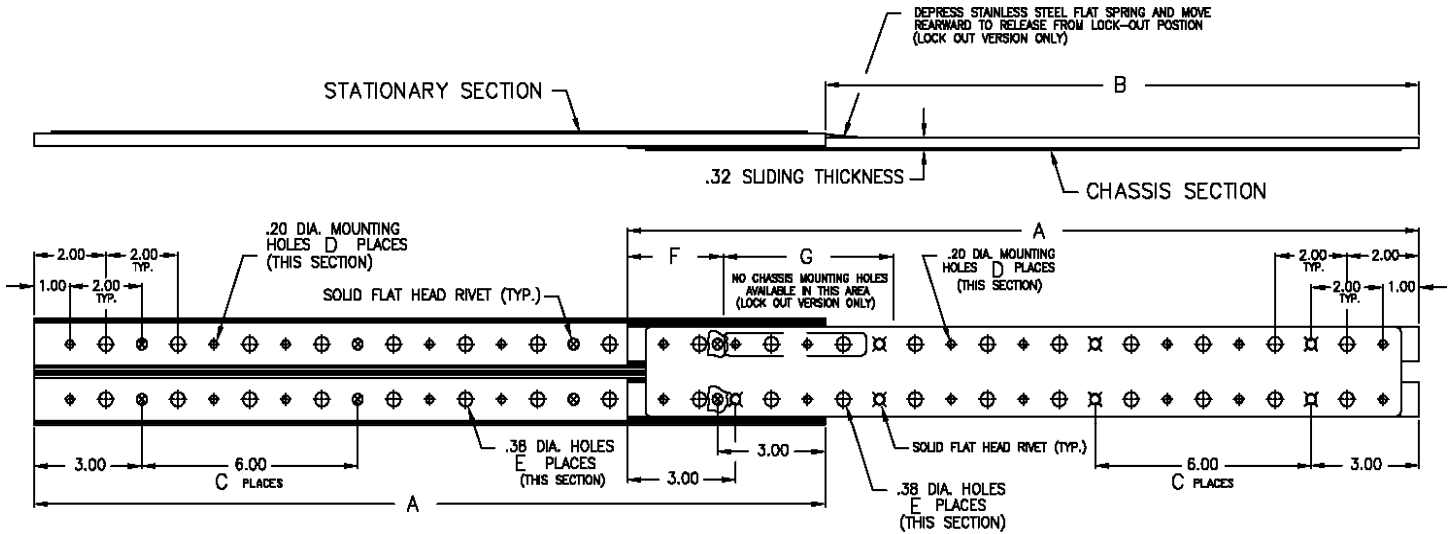


# LBS-21

## Heavy Duty, (3/4) Extension Ball Bearing Slide



### TO ORDER, SPECIFY

**LBS-21** -  - **LO** -

Length (Dim. A)

For locking at fully extended position (If desired)

Cabinet mounting selection if required. Enter CM and # of appropriate bracket. See page 48 for details on brackets available

### Notes

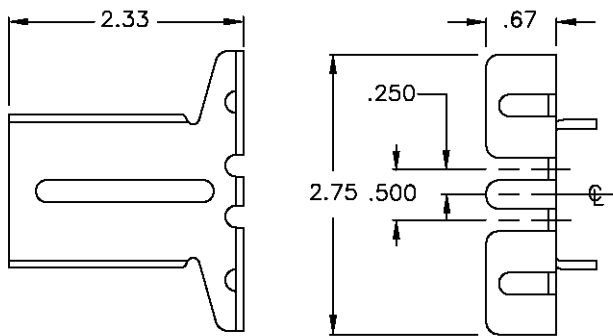
- LBS-21 consists of one set of two non-handed slides. Optional lock-out feature is available.
- All slides are supplied with special (.094" max. head height) #8-32x3/8 Phillips pan head screws and self-locking nuts for mounting one set of slides. Use only these special screws when mounting through slide member to prevent internal damage to ball retainer. If mounting to cabinet rails, see cabinet mounting section for ball bearing slides.
- LBS-21 does not disconnect.
- Slide members are made from 14 gauge (.074) work hardened cold rolled steel.
- Finish: clear zinc commercial plating.
- Holes other than those shown may be in part at manufacture's option.
- Load capacity is based on one set of slides at full extension with load (center of gravity) centered between the slides and at midpoint of the slide (chassis section). Load capacities have a 100% (static load) safety factor at full extension. The slides will support more than the stated capacities but are not designed to be operated at capacities greater than those stated.
- Grease applied to ball bearing slides has a temperature range of -45°F to +350°F.
- Odd length slides available, contact factory for more information.
- Other non-standard options which are available include: special marking, special extensions, special finishes, lock-in and complete design changes per customer request. Contact factory as these options will require a special reference number to assure receipt of specified options.

Catalog Number	A	B	C	D	E	F	G	Load Capacity
LBS-21-10	10.00	7.50	OMIT	5	4	1.50	3.00	250 LBS.
LBS-21-12	12.00	9.00	OMIT	6	5	1.50	3.00	250 LBS.
LBS-21-14	14.00	10.50	OMIT	7	6	1.50	3.00	240 LBS.
LBS-21-16	16.00	12.00	1	8	7	1.50	5.00	230 LBS.
LBS-21-18	18.00	13.50	1	9	8	1.50	5.00	225 LBS.
LBS-21-20	20.00	15.00	1	10	9	1.50	5.00	220 LBS.
LBS-21-22	22.00	16.50	2	11	10	1.50	5.00	210 LBS.
LBS-21-24	24.00	18.00	2	12	11	1.50	7.00	200 LBS.
LBS-21-26	26.00	19.50	2	13	12	1.50	7.00	190 LBS.
LBS-21-28	28.00	21.00	3	14	13	3.50	5.00	180 LBS.
LBS-21-30	30.00	22.50	3	15	14	3.50	5.00	160 LBS.

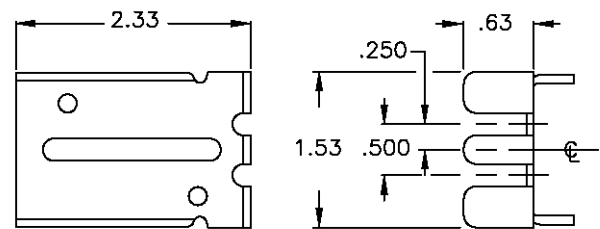
# Ball Bearing Slide Mounting Brackets

Matrix For Ball Bearing Slides & Appropriate Cabinet Mounting Brackets with Maximum Extension												
	CM1/Ext.	CM2/Ext.	CM3/Ext.	CM4/Ext.	CM5/Ext.	CM6/Ext.	CM7/Ext.	CM8/Ext.	CM9/Ext.	CM11/Ext.	CM12/Ext.	CM14/Ext.
LBS-11	●/1.00	●/1.00	●/3.16	●/6.16	●/1.00	●/2.40						●/6.16
LBS-12	●/1.00	●/1.00	●/3.16	●/6.16	●/1.00	●/2.40						●/6.16
LBS-O	●/1.00	●/1.00	●/3.16	●/6.16	●/1.00	●/2.40						●/6.16
LBS-21									●/1.45			
LBS-22									●/1.45			
LBS-32											●/1.45	
CLB-203	●/1.36	●/1.36	●/3.53	●/6.53	●/1.36	●/2.77						●/6.16
CLB-223										●/1.19		
CLB-305							●/1.77	●/1.77				
CLB-307	●/1.36	●/1.36	●/3.53	●/6.53	●/1.36	●/2.77						●/6.16
CLB-315	●/1.00	●/1.00	●/3.16	●/6.16	●/1.00	●/2.40						●/6.16

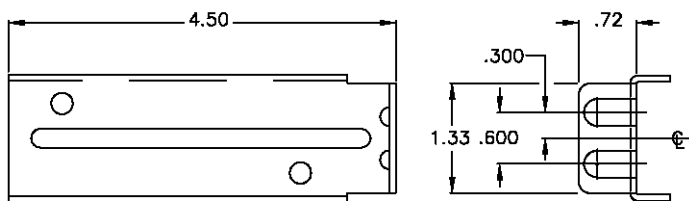
## CM 1



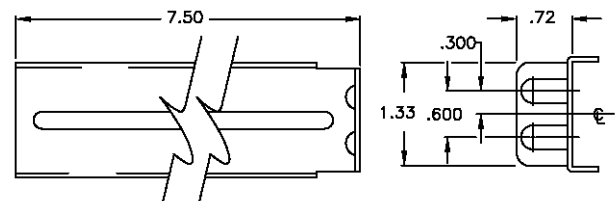
## CM 2



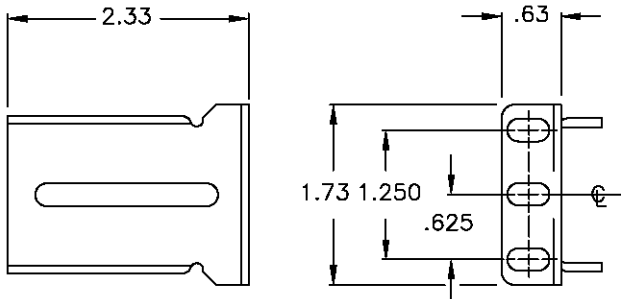
## CM 3



## CM 4

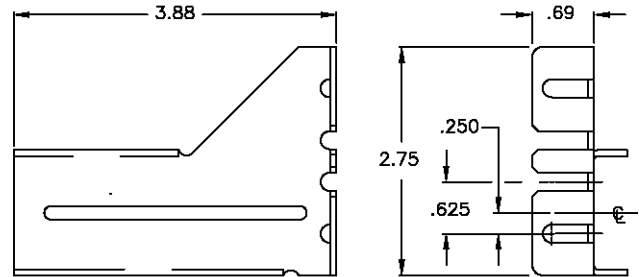


## CM 5

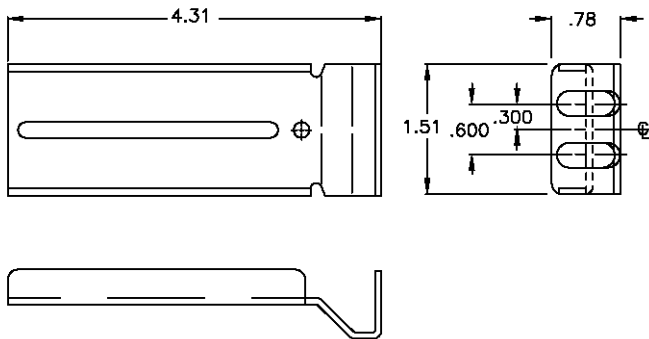


## CM 6

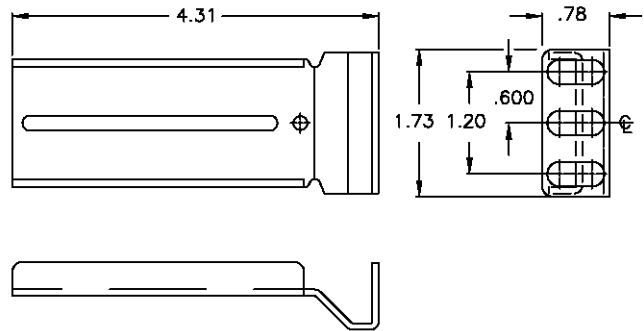
SUPPLIED IN PAIRS (RIGHT HAND AND LEFT HAND)



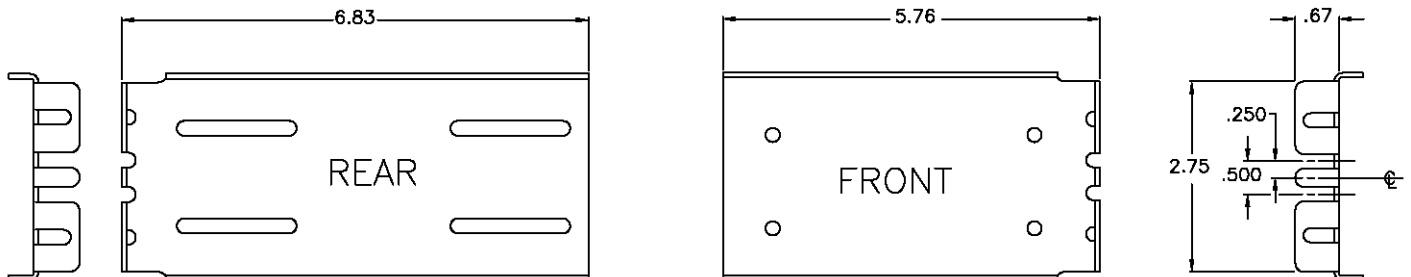
## CM 7



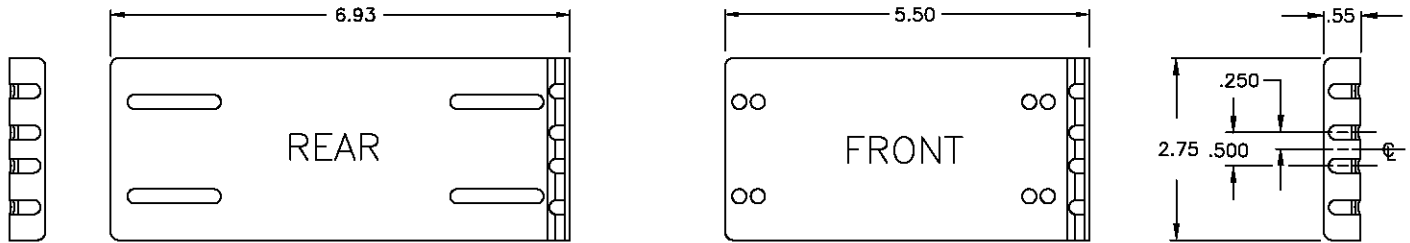
## CM 8



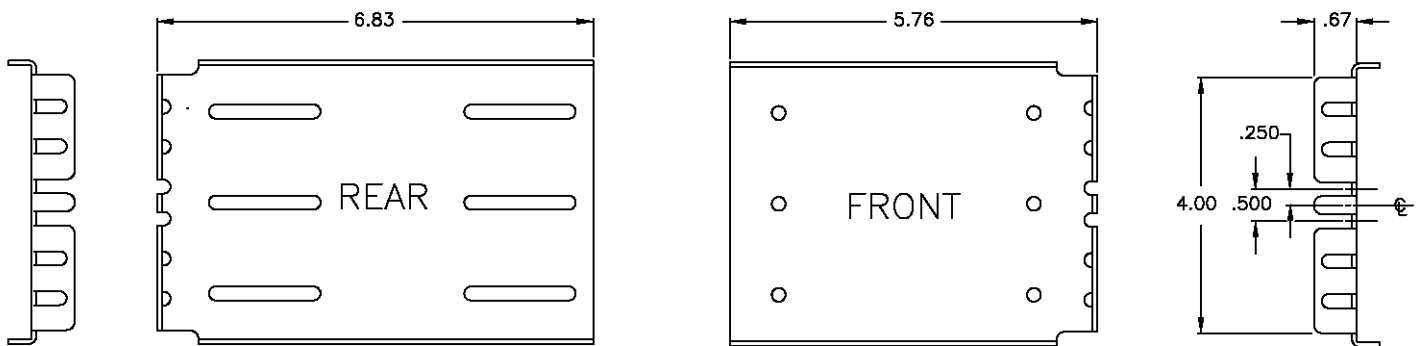
## CM 9



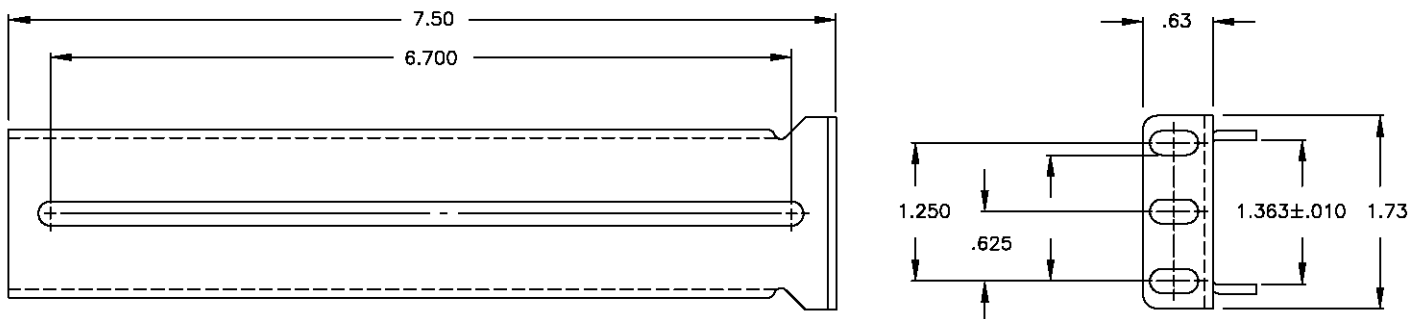
## CM 11



## CM 12



## CM 14



- A CM14 bracket kit consists of two CM5 brackets for the front of the slide and two CM14 brackets for adjustable mounting at the rear of the slide.